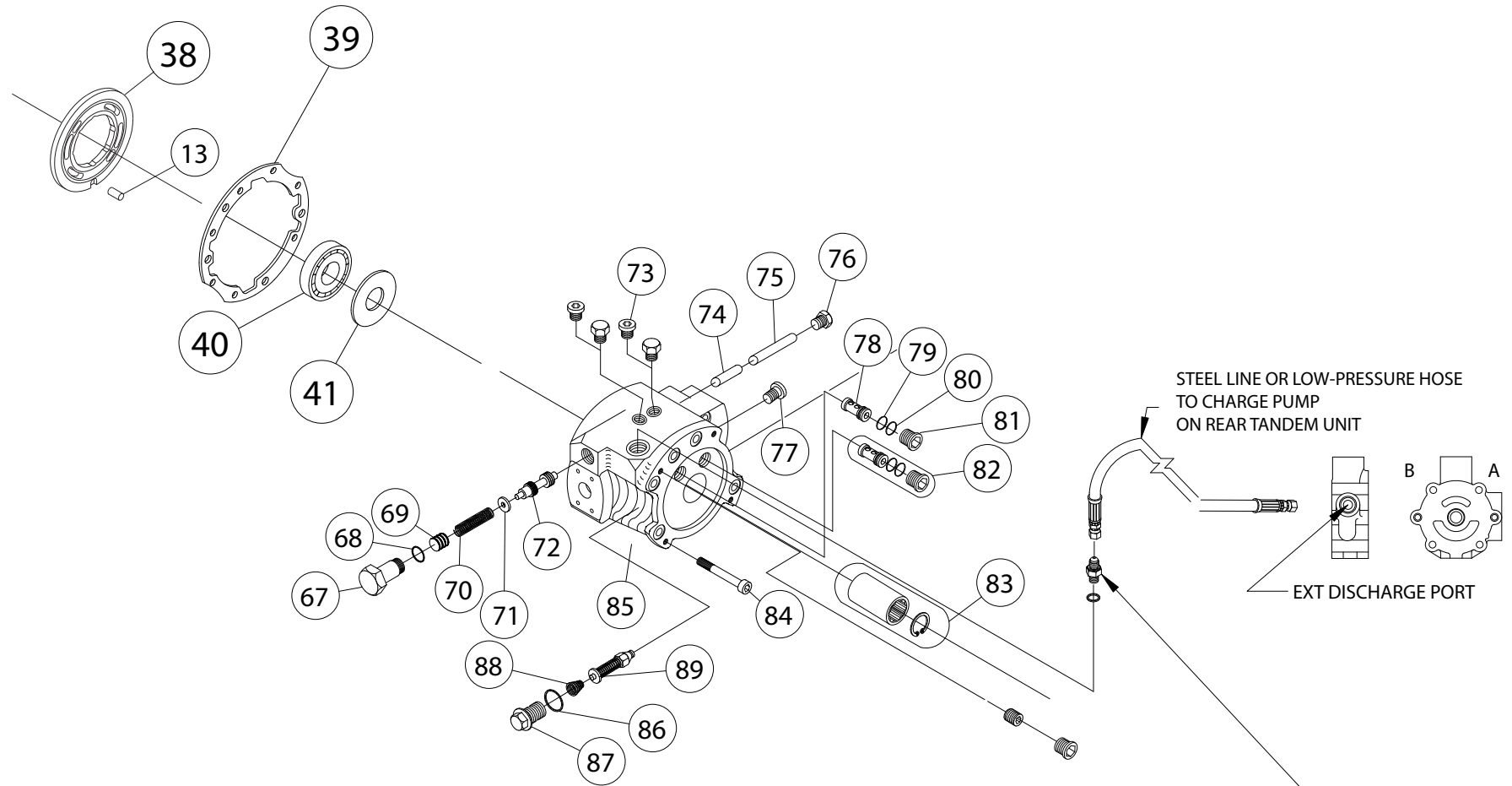


Parts List - Tandem Front Pump End Covers



ITEM	DESCRIPTION
13	Dowel Pin
38	Valve Plate
39	End Cover Gasket
40	End Cover Bearing Kit
41	End Cover Shim Kit
67	IPOR Cap
68	O-ring
69	IPOR Shims
70	IPOR Spring
71	IPOR Valve Washer
72	IPOR Spool
73	O-ring Plug S/A
74	IPOR Pin Short
75	IPOR Pin Long

ITEM	DESCRIPTION
76	O-ring Plug S/A
77	O-ring Plug S/A
78	Check Valve Body
79	Check Valve O-ring
80	Check Valve Back Up Ring
81	Check Valve Plug
82	Check Valve S/A
83	Drive Shaft Coupling
85	End Cover S/A
86	Power Limiter Valve Cap Plug O-ring
87	Power Limiter Valve Cap Plug
88	Power Limiter Check Valve Spring
89	Power Limiter Valve

STEEL LINE OR LOW-PRESSURE HOSE TO CHARGE PUMP ON REAR TANDEM UNIT

EXT DISCHARGE PORT

37° FLARE (JIC) TUBE FITTING TO TANDEM REAR PUMP